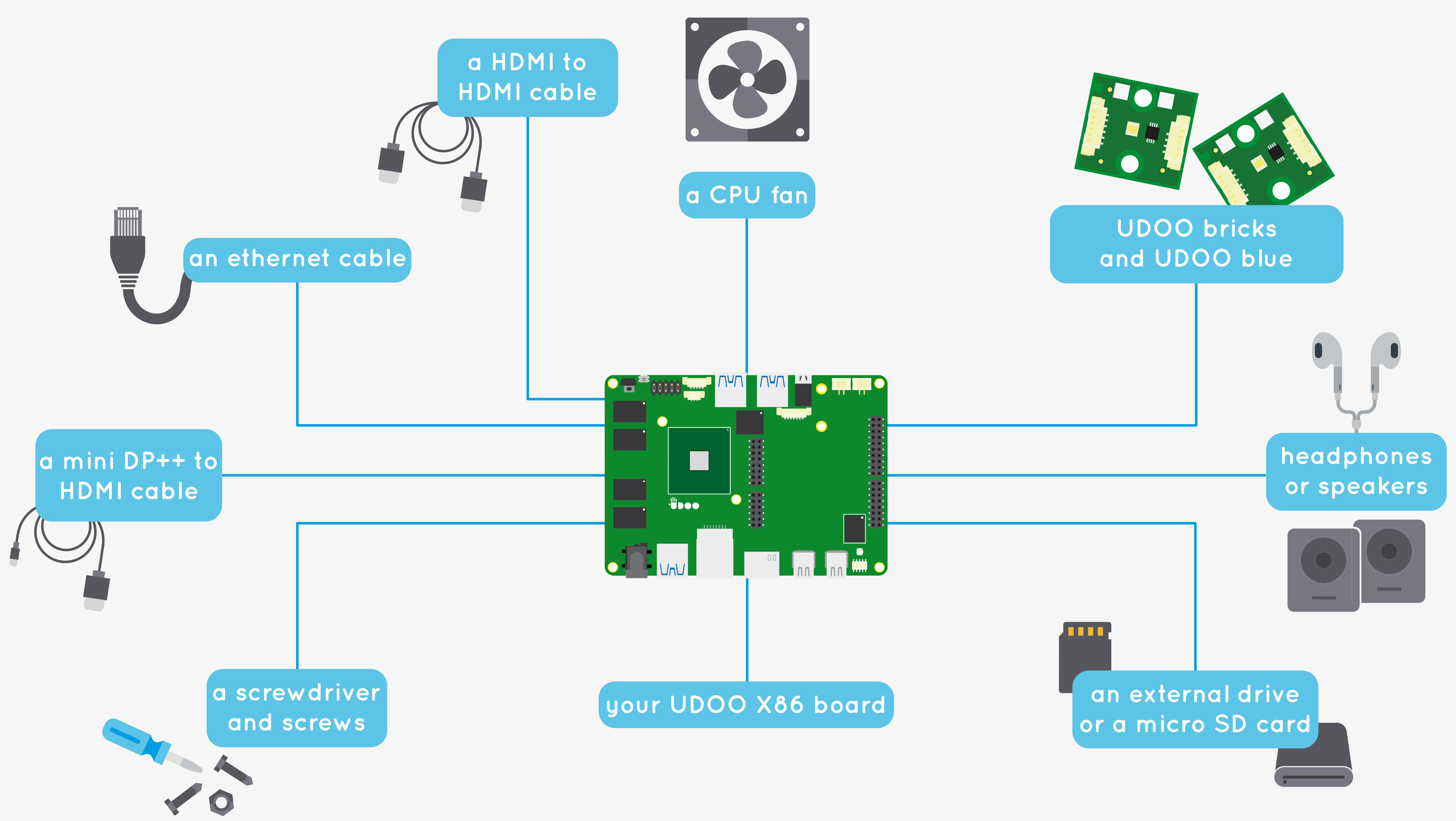
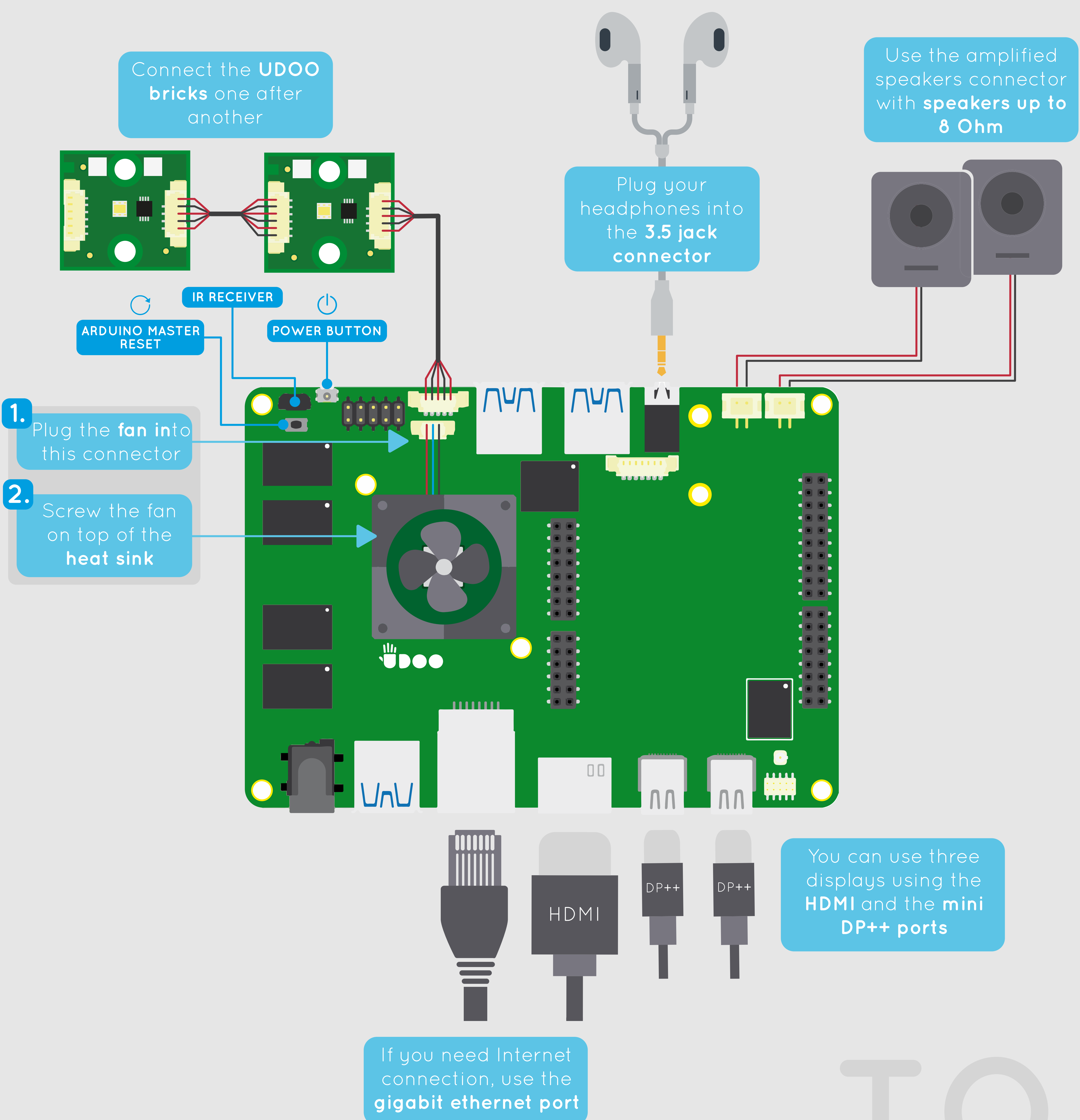


# UPGRADE YOUR X86 BOARD USING ALL ITS FEATURES

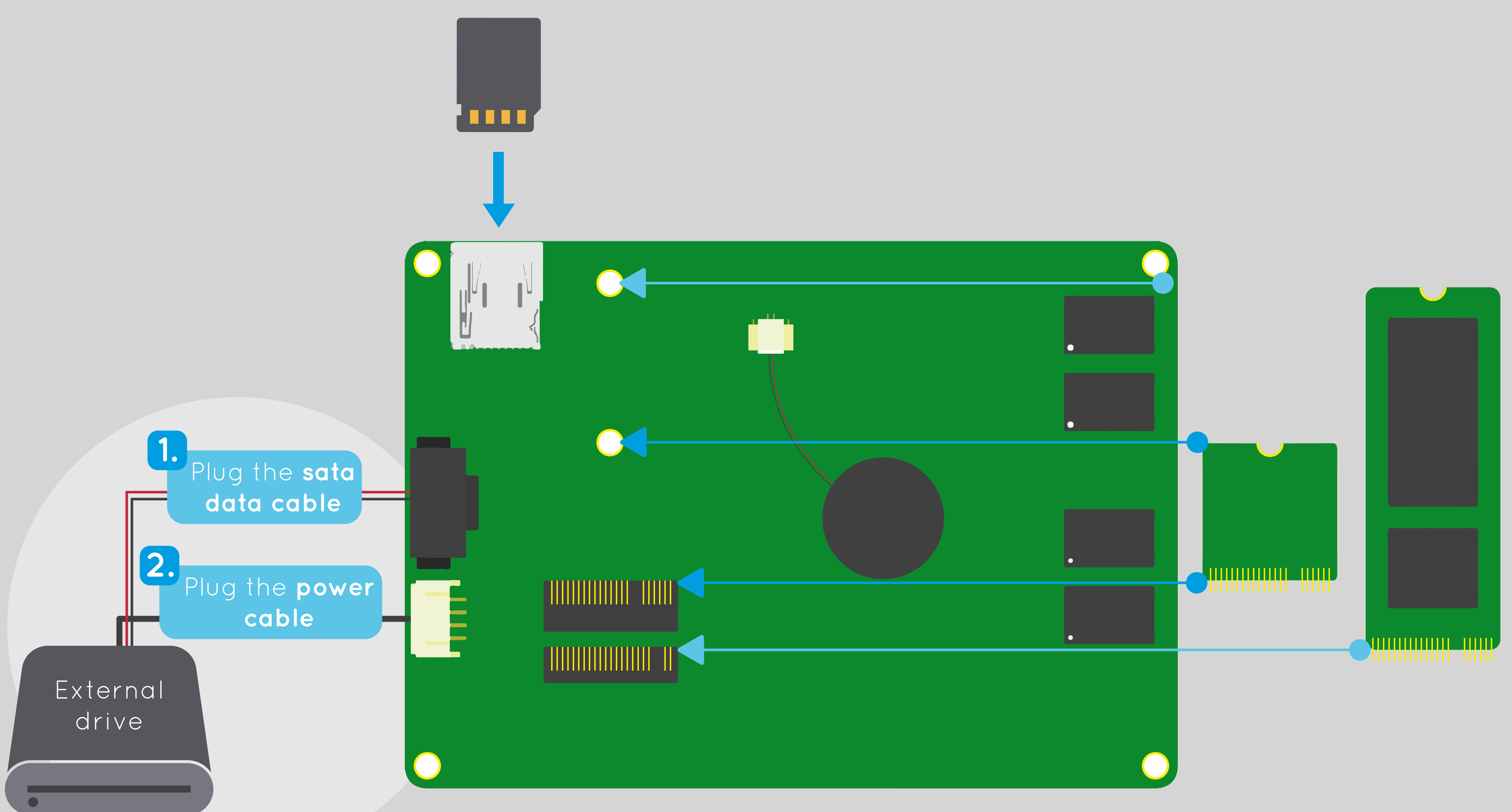
## 1 What do you need?



## 2 Mounting of the board



Insert your micro SD card



You can now fully experience your X86!

