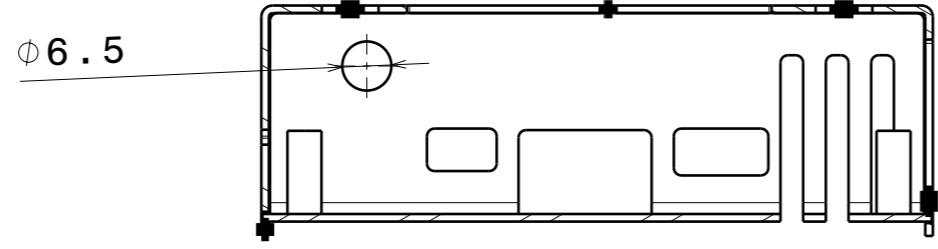
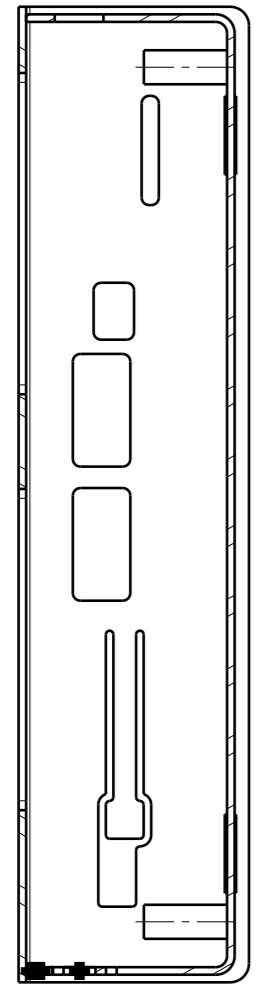


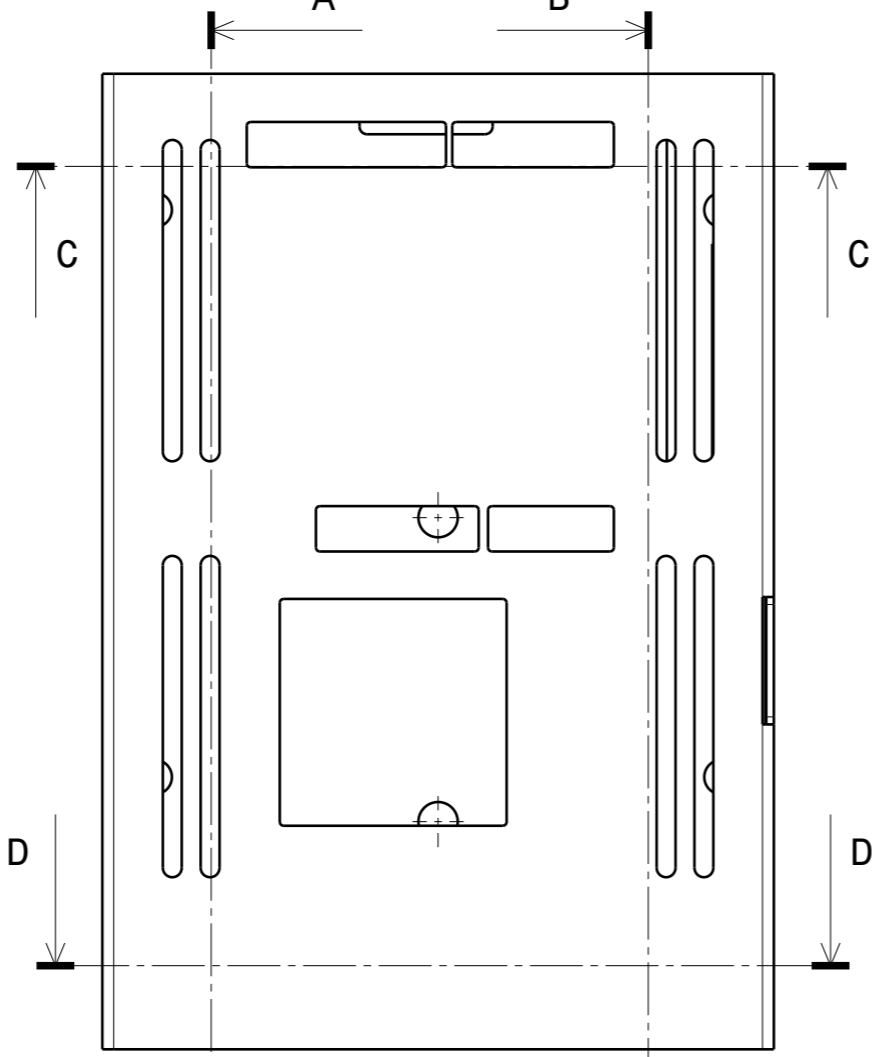
Rev	Pos	Description of revision	Approved	Date



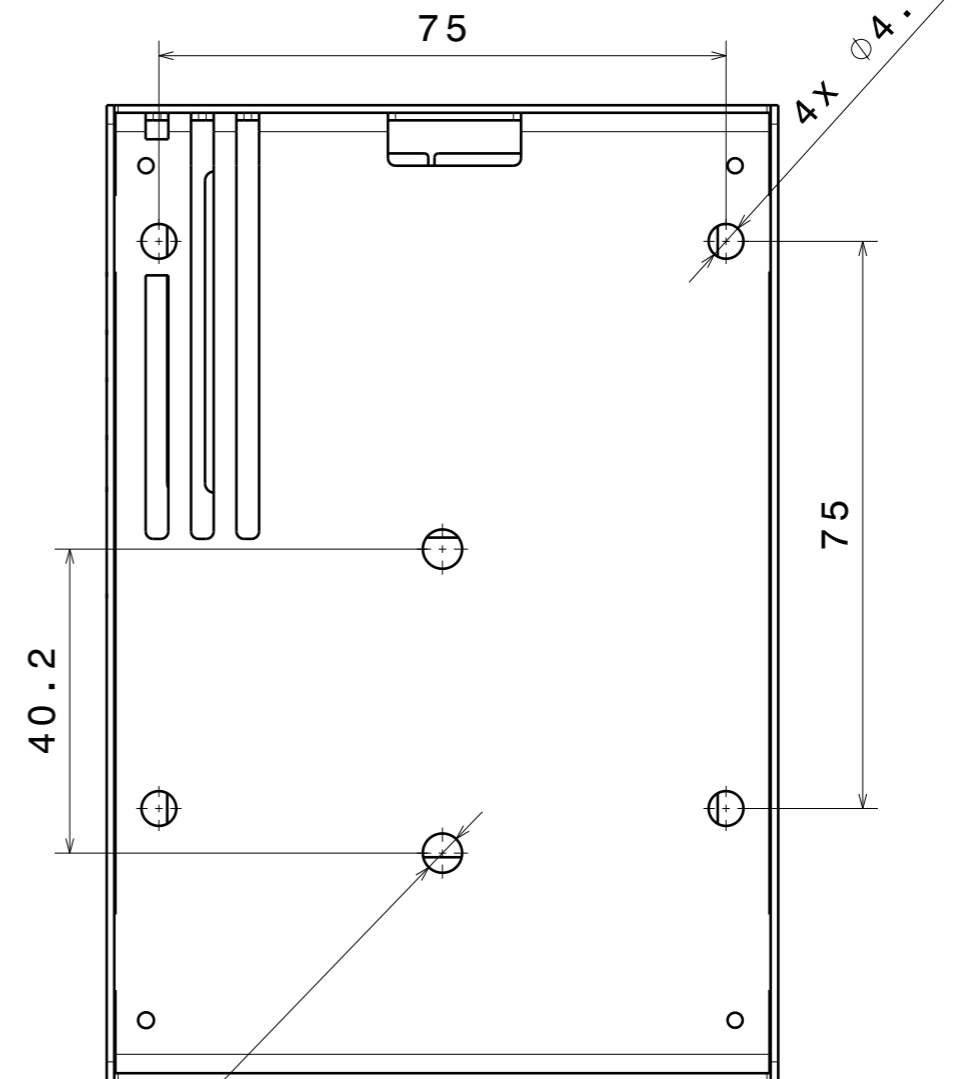
Section view C-C
Scale: 1:1



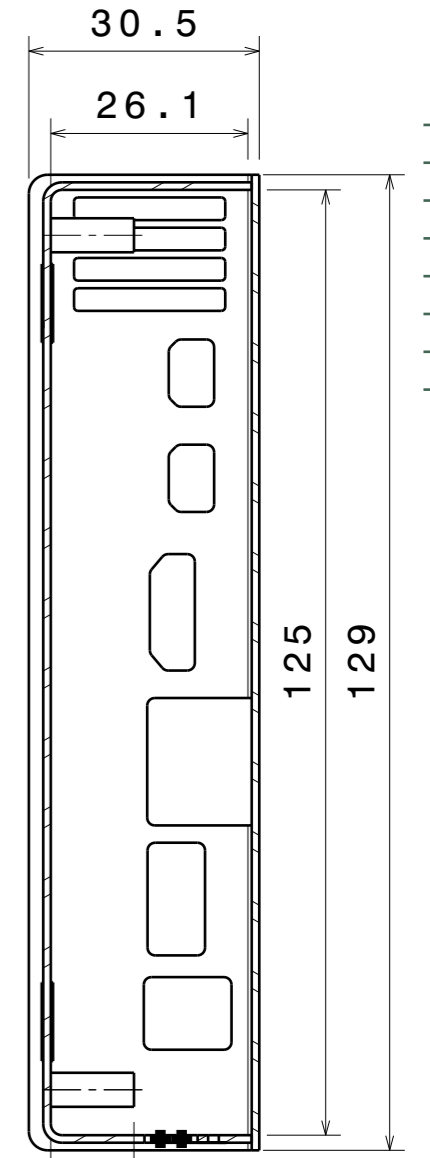
Section view A-A
Scale: 1:1



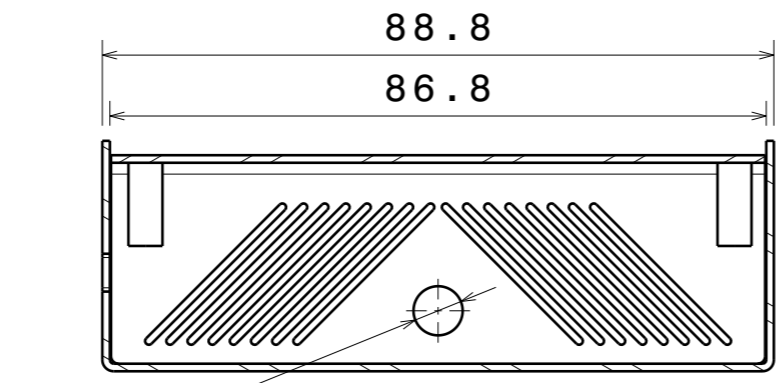
Top view
Scale: 1:1




Bottom view
Scale: 1:1



Section view B-B
Scale: 1:1



Section view D-D
Scale: 1:1

1	1	-	Aluminum	Unit: metric
ITEM REF	NUMBER	DESCRIPTION	MATERIAL	REMARKS
View pos	Sign	General tolerance		Weight
Checked	Approved	SS-ISO 2768-1-m		Scale (if not 1:1)
Titel (max 20 pos)			Date	Sheet
			2018-02-02	Rev.
			Drawing no	A
Interface drawing KKSB Udoox86				

This drawing and design is the property of
 Kungsbacka Konstruktion & Skärande Bearbetning.
 It may not be copied, shown
 or handed to any third party without our permission.